

WE2000

Aluminium / steel alloy structure

Reduction unit with worm wheel and irreversible worm-screw. Reverse motion is possible only when the operator pulls the operating lever. Therefore this reduction system requires no brakes.

Manual drum clutch for drum engagement – disengagement.

Line speed 1st layer of cable (with empty drum): 5 m/m

Ratio 38:1 (total ratio: 213:1)

1st cable layer pulling capacity measured by dynamometer: 2000 kg

Zinc-plated steel cable guide with sliding rollers

CE- marked shockproof control pendant with pin connection

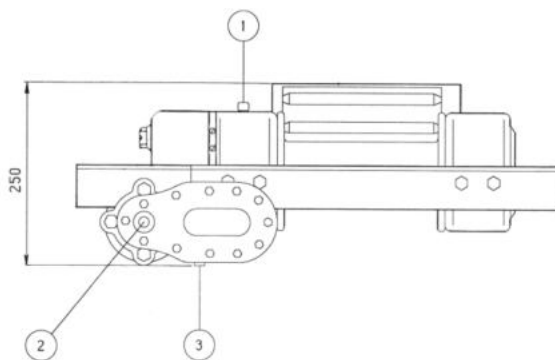
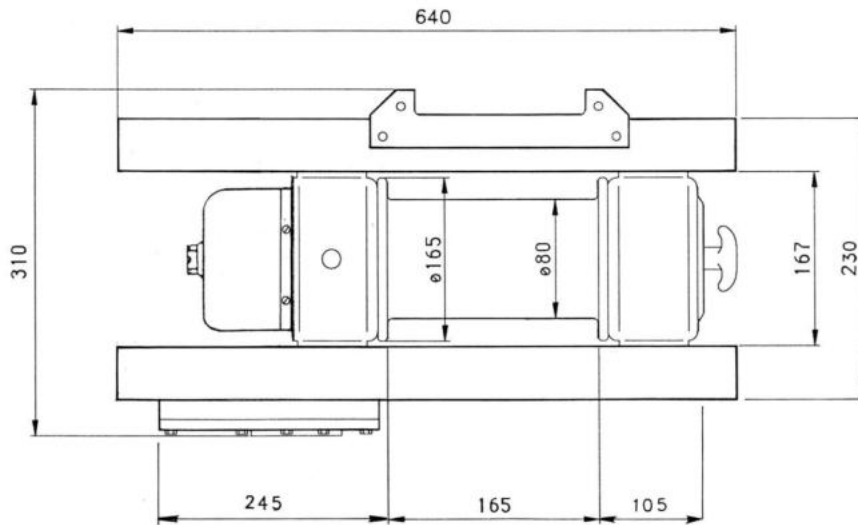
Radio control kit (extra)

12 V version

Max. current consumption 95 A

Total weight without cable: 34 kg

Max cable capacity: 35 m Ø 8 (extra)



- 1 - Oil filling plug
- 2 - Oil level plug
- 3 - Oil drain plug

CABLE LAYER	LINE PULL	CABLE LENGTH
1 st	2020 kg	5,18 m
2 nd	1680 kg	11,39 m
3 rd	1440 kg	18,64 m
4 th	1130 kg	26,93 m
5 th	890 kg	36,26 m
Max. cable capacity: 35 m Ø 8 mm		